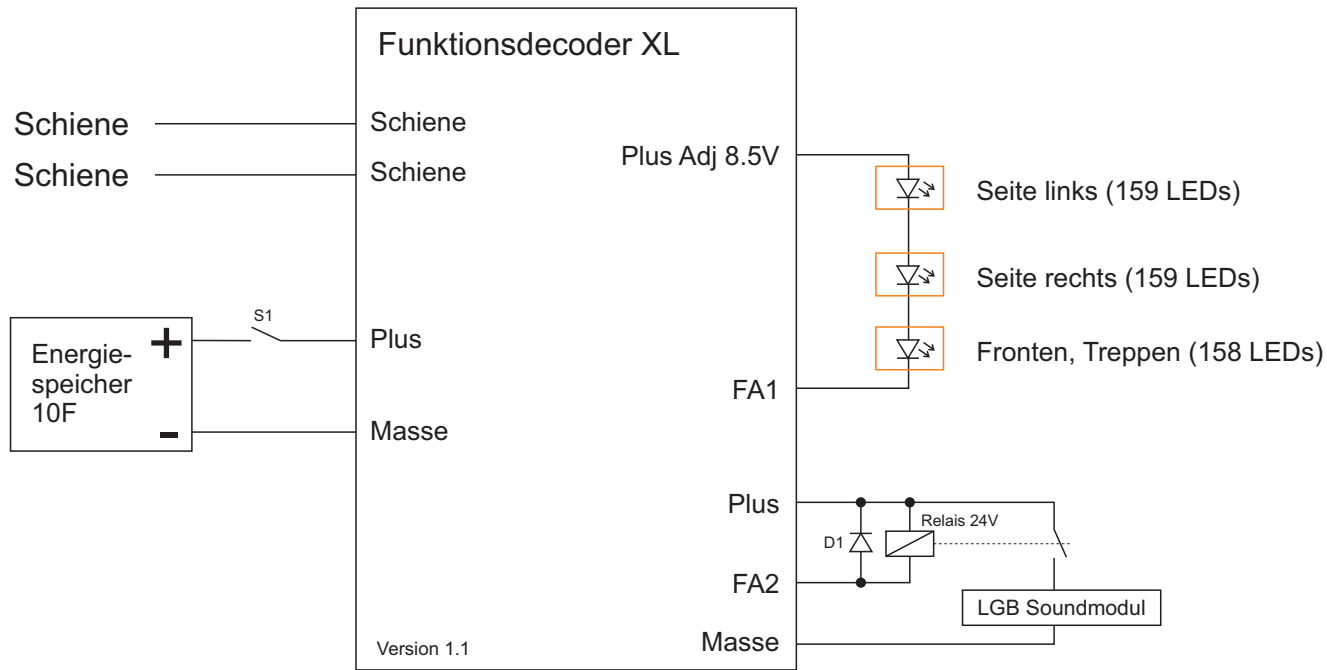
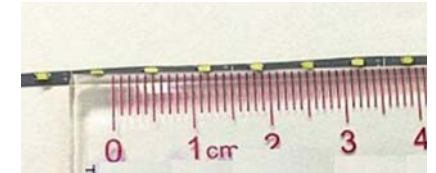


LGB 45352 Coca Cola



SMD-LED-Strip
 Quelle: www.modelsector.com
 Typ: 1.5mm purweiss 500mm
 Winkel: 120°
 Spannung: 2.6-3V
 Strom: 120..200mA
 Anzahl LED: 71



LED total = 476

9.0V => 900mA
8.5V => 550mA +++++
 8.0V => 100mA

